

astra®

DOOR CONTROLS

The highest possible standards. The best possible solutions.

4000 Series



Astra Products

1000 Series

Manufactured in the UK, the 1000 Series concealed hydraulic door control is a single speed mechanical door closing device incorporating a hydraulic system with adjustable latching action.

Certification

- ✓ EN1634 approved
- ✓ FD30 fire doors
- ✓ FD60 fire doors



2000 Series

The 2000 Series concealed hydraulic door control is designed to offer a consistent closing action with the minimum of resistance on the opening operation. Incorporating two door controls of differing power sizes, with a fixed closing speed and adjustable latching action.

Certification

- ✓ EN1634 approved
- ✓ FD30 fire doors
- ✓ FD60 fire doors



3000 Series

The 3000 Series concealed hydraulic door control is the Flagship product for Astra as it offers 4 door closers of differing power sizes with adjustable closing speed and latching action. This series of fully controlled door closers was developed to offer the adjustability and control of an overhead type, face fixed closer with the aesthetic appeal of a concealed device.

Certification

- ✓ EN1634 approved
- ✓ FD30 fire doors
- ✓ FD60 fire doors
- ✓ EN1154 approved
- ✓ CE Marked



4000 Series

The 4000 Series is the latest innovation to surface from the Astra Research and Development Department. The fully controlled concealed door closers have been designed specifically for fire doors that require a continuous, controlled action into the latch. With easy speed adjustment this ultra efficient, easy-to-install compact door control is ideal for both refurbishment and new build projects.

Certification

- ✓ EN1634 approved
- ✓ FD30 fire doors
- ✓ FD60 fire doors
- ✓ EN1154 approved
- ✓ CE Marked



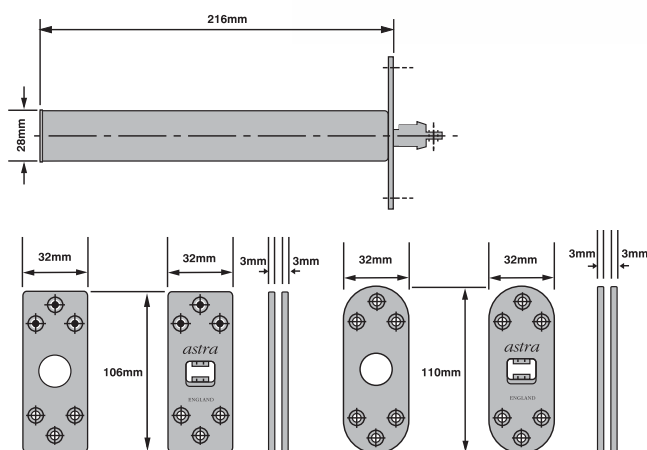
4000 Series

Following market research and feedback gathered from a combination of architects, interior designers, architectural ironmongers, doorset manufacturers and joiners it became apparent that there was a demand in the market for a jamb mounted concealed closer that was efficient, fully concealed but also easier to install compared to the current products available. Our Research and Development Department were tasked to produce a concealed jamb mounted door control that was fully concealed when the door is closed, seamless to fit in to the doorset at the factory stage through CNC machines, easy to install on site, and fully adjustable once the closer is installed.

The UK-manufactured 4000 Series includes three different power size door closers each with easily adjustable speed: the 4001, 4002 and 4003. It is manufactured with a single spring and hydraulic unit, that offers a higher efficiency rate than a typical overhead closer so it does not require any adjustable latching. The 4000 Series does not need to be removed to adjust the closing speed, this can be done with a flat headed screwdriver with the door closer installed.



4000 Series Dimensions



An ultra-compact high efficiency design makes the Astra 4000 Series the perfect choice for both new-build and refurbishment projects.

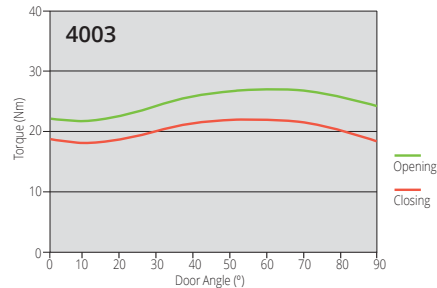
They are ideally suited to a wide variety of applications including hotel bedrooms, office doors, residential dwellings, student accommodation and any setting with a reduced ligature requirement.

The Astra 4000 Series door closers are tested and certified to all British and international performance standards and programmes, including FD30 & FD60 fire tests conducted in accordance with BS EN1634-1:2000 (test report CHILT/RF06118). It will allow specifiers to meet PAS 24 standards for residential entrance doors since it is Secured by Design (SBD) accredited. Astra 4000 Series door closers have also been successfully included in tests in both Halspan and Streboard core 44mm and 54mm doors and has successfully completed in house-testing to over 500,000 cycles.

4003 Technical Details

Performance

- ✓ Fixed power EN3
- ✓ Closing force 4° from latch 19Nm
- ✓ Opening force 4° from latch 22Nm
- ✓ Continuous valve control from 90°
- ✓ Maximum opening angle 105°
- ✓ Suitable for doors up to 1100mm wide



Product

- ✓ Integrated door control
- ✓ Jamb mounted frame plate hinge side
- ✓ Suitable for use on right and left handed swing doors
- ✓ Completely concealed when door is closed

Applications

- ✓ Apartment entrance doors
- ✓ Reduced ligature
- ✓ Hotel bedrooms
- ✓ Internal office doors
- ✓ Residential dwellings
- ✓ Cubicle doors
- ✓ Student accommodation

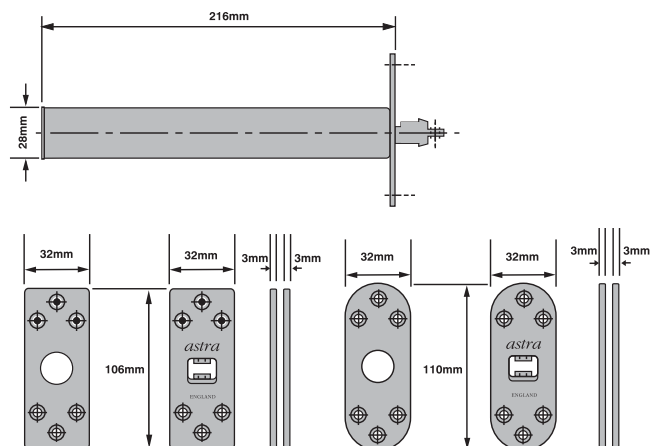
Functions

- ✓ Adjustable closing speed whilst installed
- ✓ Maintenance-free

Test Evidence

- ✓ CE marked in accordance with the Construction Product Regulations
- ✓ Continuous in-house testing to over 500,000 cycles
- ✓ Fire test conducted in accordance with BS EN1634-1:2000
- ✓ Third party performance tested to EN1154

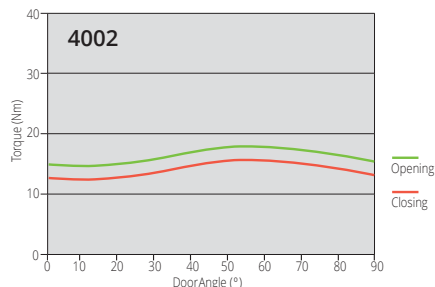
4000 Series Dimensions



4002 Technical Details

Performance

- ✓ Fixed power EN2
- ✓ Closing force 4° from latch 13Nm
- ✓ Opening force 4° from latch 16Nm
- ✓ Continuous valve control from 90°
- ✓ Maximum opening angle 105°
- ✓ Suitable for doors up to 900mm wide



Product

- ✓ Integrated door control
- ✓ Jamb mounted frame plate hinge side
- ✓ Suitable for use on right and left handed swing doors
- ✓ Completely concealed when door is closed

Applications

- ✓ Apartment entrance doors
- ✓ Reduced ligature settings
- ✓ Hotel bedrooms
- ✓ Internal office doors
- ✓ Residential dwellings
- ✓ Cubicle doors
- ✓ Student accommodation

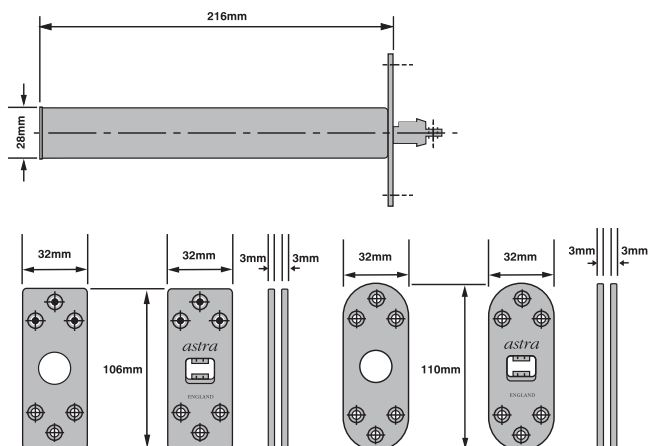
Functions

- ✓ Adjustable closing speed whilst installed
- ✓ Maintenance-free

Test Evidence

- ✓ Continuous in-house testing to over 500,000 cycles
- ✓ Fire test conducted in accordance with BS EN1634-1:2000
- ✓ Third Party performance tested to EN1154

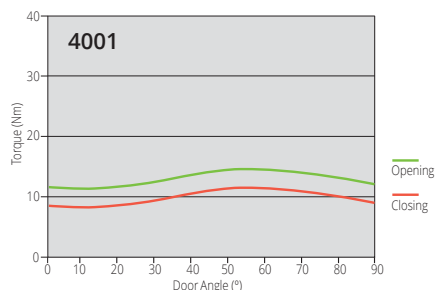
4000 Series Dimensions



4001 Technical Details

Performance

- ✓ Fixed power EN1
- ✓ Closing force 4° from latch 9Nm
- ✓ Opening force 4° from latch 12Nm
- ✓ Continuous valve control from 90°
- ✓ Maximum opening angle 105°
- ✓ Suitable for doors up to 800mm wide



Product

- ✓ Integrated door control
- ✓ Jamb mounted frame plate hinge side
- ✓ Suitable for use on right and left handed swing doors
- ✓ Completely concealed when door is closed

Applications

- ✓ Apartment entrance doors
- ✓ Reduced ligature settings
- ✓ Hotel bedrooms
- ✓ Internal office doors
- ✓ Residential dwellings
- ✓ Cubicle doors
- ✓ Student accommodation

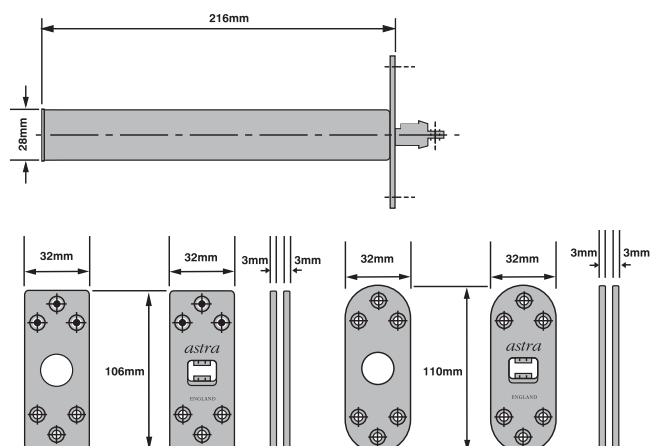
Functions

- ✓ Adjustable closing speed whilst installed
- ✓ Maintenance-free

Test Evidence

- ✓ Continuous in-house testing to over 500,000 cycles
- ✓ Fire test conducted in accordance with BS EN1634-1:2000
- ✓ Third Party performance tested to EN1154

4000 Series Dimensions



4000 Series Features

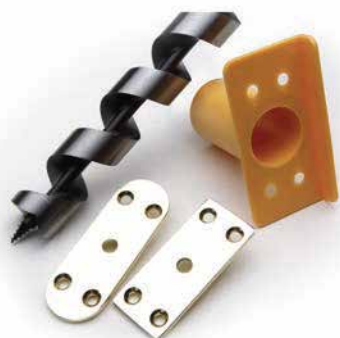


Certification and Testing

- ✓ Tested on 30 minute Fire Doors
- ✓ Tested on 60 minute Fire Doors
- ✓ Tested to BS476
- ✓ Tested to EN1634
- ✓ Tested to EN1154
- ✓ CE Marked
- ✓ Required to comply with Building Regulations

Adjusting the door closing speed

Once installed, the closing speed may be adjusted. A closing speed adjustment pin is located inside the body of the closer, above or below the fixing link. The closing speed can be altered by opening the door to 90° and turning the adjuster pin with a small flat screwdriver clockwise to decrease speed or anticlockwise to increase speed. It is recommended not to set a closing speed of less than 6 seconds.



Installation

Easy to fit with the appropriate, approved 9001 installation kit. Complete instructions supplied with products and kits. Installation videos at www.astradoorcontrols.com

Available in seven different finishes as standard with the choice of radius or square fore ends. Alternative bespoke finishes available on request.



BRASS

ANTIQUE
BRASS

BRONZE

DARK
BRONZE

COPPER

POLISHED
CHROME

SATIN
CHROME

astra®

DOOR CONTROLS

The highest possible standards. The best possible solutions.

Astra Door Controls – A UK manufacturer of concealed hydraulic door controls specifically designed for the architectural market.

The research and development department, manufacturing plant, and offices operate out of Astra Business Centre in Preston, Lancashire.

Born out of the companies Reilor Limited and Gibcloser Limited, Alister Reid and Philip Gallagher set up Astra Door Controls in 2005 with a vision to design and manufacture concealed door closers for the fire door market in the United Kingdom. In the beginning, Alister as Managing Director shaped the business to meet the demands of manufacturing and design leaving Philip (Technical and Sales Director) to focus on developing the product range and certification requirements. As both directors are very “hands on” it soon became apparent that traditional overhead face fixed closers were not always wanted or desired. The requirement for a hidden or concealed self-closing device was an obvious missing piece of the modern fire door-set.

The introduction of the Regulatory Reform (fire safety) Order 2005 helped provide clear guidance on the requirements in fire safety in commercial buildings and blocks of apartments.

Working with hinge manufacturers and door fabricators, alongside architects and architectural ironmongers the company is instrumental in providing solutions for self-closing fire doors.

In 2016 Mark Gallagher joined Astra Door Controls to help Alister and Philip grow the business and is now UK Sales and Marketing Manager.

More recently, the demand for door closers in residential housing has grown significantly. The concealed option is the desired choice for architect, client and occupier. To this end, Astra has designed a complete range which now boasts the 1000, 2000, 3000 and 4000 series in its portfolio of hidden door closers. Utilising in house test rigs and testing equipment has helped develop Astra Door Controls that operate with both concealed and butt type hinges.

“As a manufacturer, it is important we develop products appropriate to the markets in which we operate. Quality, service, reliability and cost is critical to how we grow as a business. Understanding our customers’ needs and having the ability to react at short notice has defined Astra Door Controls in the architectural fire door arena.

We will continue to strive to bring in new products that are both functional and aesthetically pleasing whilst maintaining levels of performance attributed to the appropriate standards.

Committed to manufacturing in the United Kingdom, we are able to deliver modern design with quality products at a competitive price whilst fulfilling the requirements of the relevant standards.”

Philip Gallagher, Managing Director.

Astra Door Controls Limited, Astra Business Centre, Roman Way, Preston, PR2 5AP, England
Telephone: **+44 (0)1772 796901** Email: **info@astradoorcontrols.com**

For Terms and Conditions visit our website at: **www.astradoorcontrols.com**